

**INSTRUCTIONS FOR INSTALLING A SENSOR REPLACEMENT KIT P/N 4301374,
IN A NATIONAL VENDORS SHOPPERTRON MERCHANDISER**

**CHECK THE PARTS RECEIVED IN THE KIT WITH THE PARTS LIST
IN THESE INSTRUCTIONS. IF ANY PARTS ARE MISSING, CONTACT
NATIONAL VENDORS' PARTS DEPARTMENT IMMEDIATELY.**

Read these instructions carefully and thoroughly before installing the kit. Retain these instructions for part number and installation information. Kit, Sensor Switch Replacement, part number 4301374 contains the following:

Part Number	Description	Quantity
4301402	Sensor Switch Assembly	1
4301353	Magnetized Magnet	1
4301368	Insulation	1
4301373	Installation Instructions	1

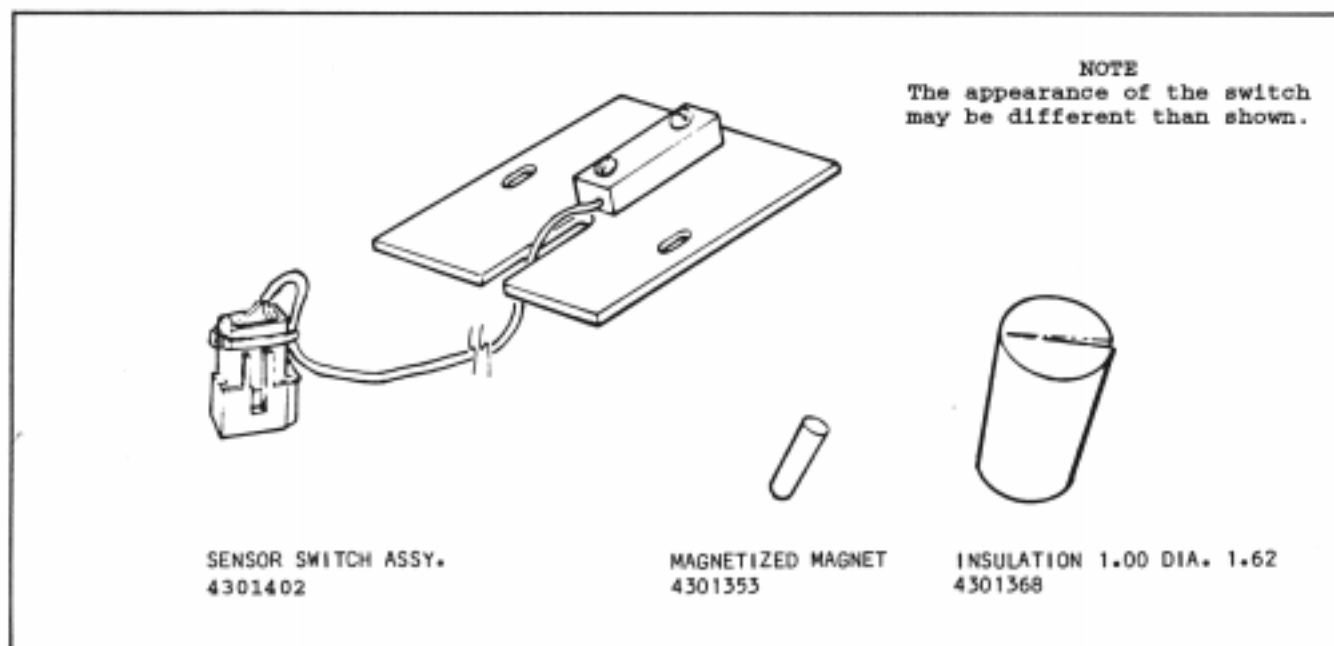


FIGURE 1

Removal (See Figure 2)

1. Disconnect merchandiser from power source.
2. Unhook spring from sensor spring mounting bracket.
3. Remove spring mounting bracket.
4. Remove sensor and bearing assembly, retain mounting screws.
5. Unplug sensor harness and remove switch mounting bracket.

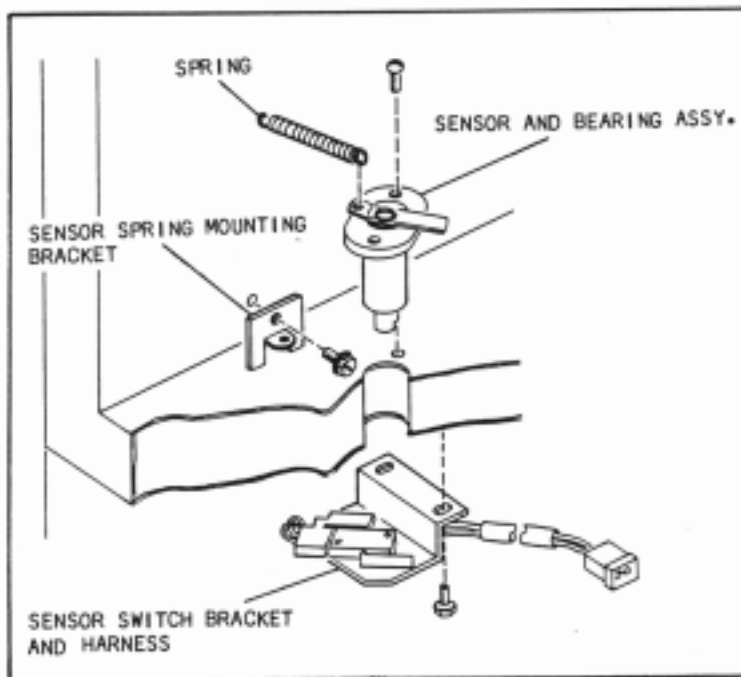


FIGURE 2

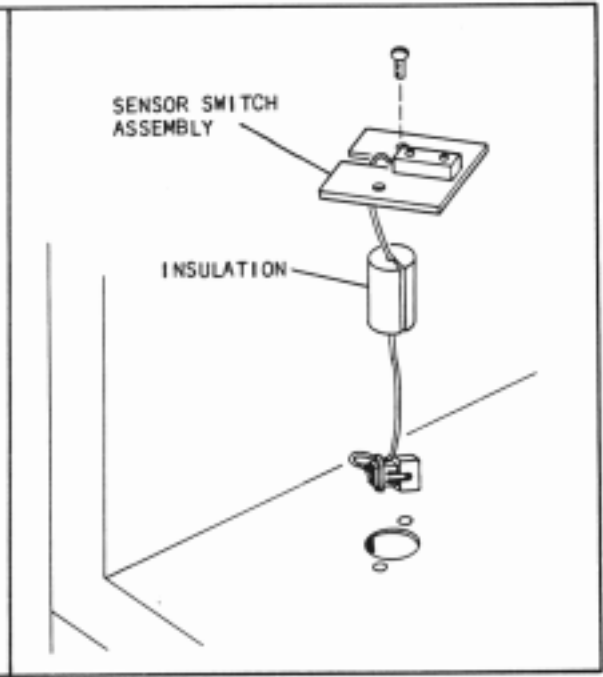


FIGURE 3

Installation

1. Place insulation on replacement sensor switch harness. (See Figure 3).
2. Push plug of sensor harness through hole.
3. Push insulation and harness into hole.
4. Secure sensor with the two screws.
5. With a screw driver press down on stop pin to release turret.
6. Rotate turret until sensor pin is clear of turret shelf. (See Figure 4)
7. Remove the turret gear segment containing the sensor pin.
8. Remove sensor pin, fill hole with RTV or Silicone Caulking (purchase at local hardware store) and place magnet in hole. (See Figure 5).

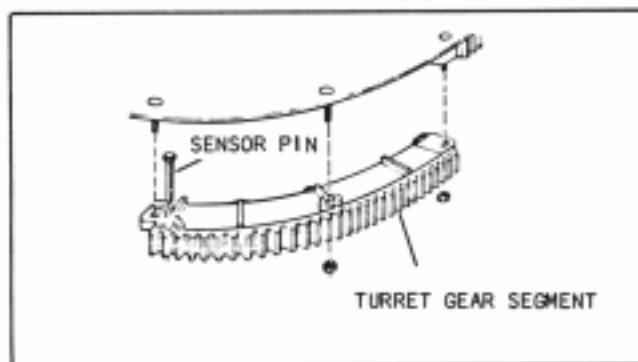


FIGURE 4

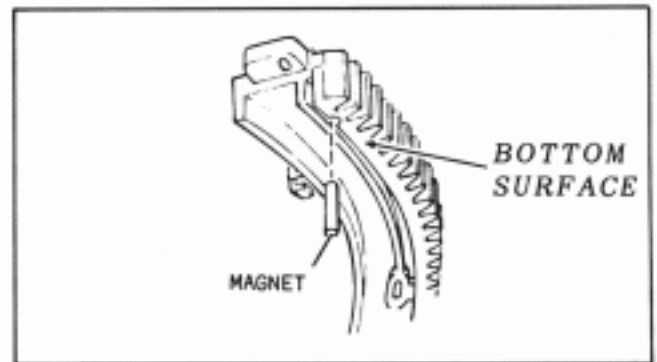


FIGURE 5

NOTE

Magnet must be flush with bottom of gear segment.

9. Replace gear segment.
10. Connect sensor switch harness.
11. Return merchandiser to service.

If any version 05AXX software is updated to version 052AC or greater or if the U13 Ram or the main PC Board is replaced it may be necessary to reconfigure the Ram's check bytes and option registers for coin mech and type of home switch. Turn the machine on and press the "MACH CONF" key to enter any configure step. Now press and hold the "MACH CONF" key until two beeps sound and all the displays light. Enter the 4 digit code listed below for the options that are applicable. Turn power off for a few seconds to restart the software and coin mechanism. If Ram data error reoccurs replace U13.

<u>COIN MECH</u>	<u>HOME SWITCH</u>	<u>ENTER NUMBERS</u>
COINTRON 3000 OR SIMILAR	MECHANICAL	0,0,2,3
	MAGNETIC	8,0,2,3
MARS EXEC FOR ENGLISH COINS	MECHANICAL	0,1,2,3
	MAGNETIC	8,1,2,3
MARS EXEC FOR GERMAN COINS	MECHANICAL	0,3,2,3
	MAGNETIC	8,3,2,3